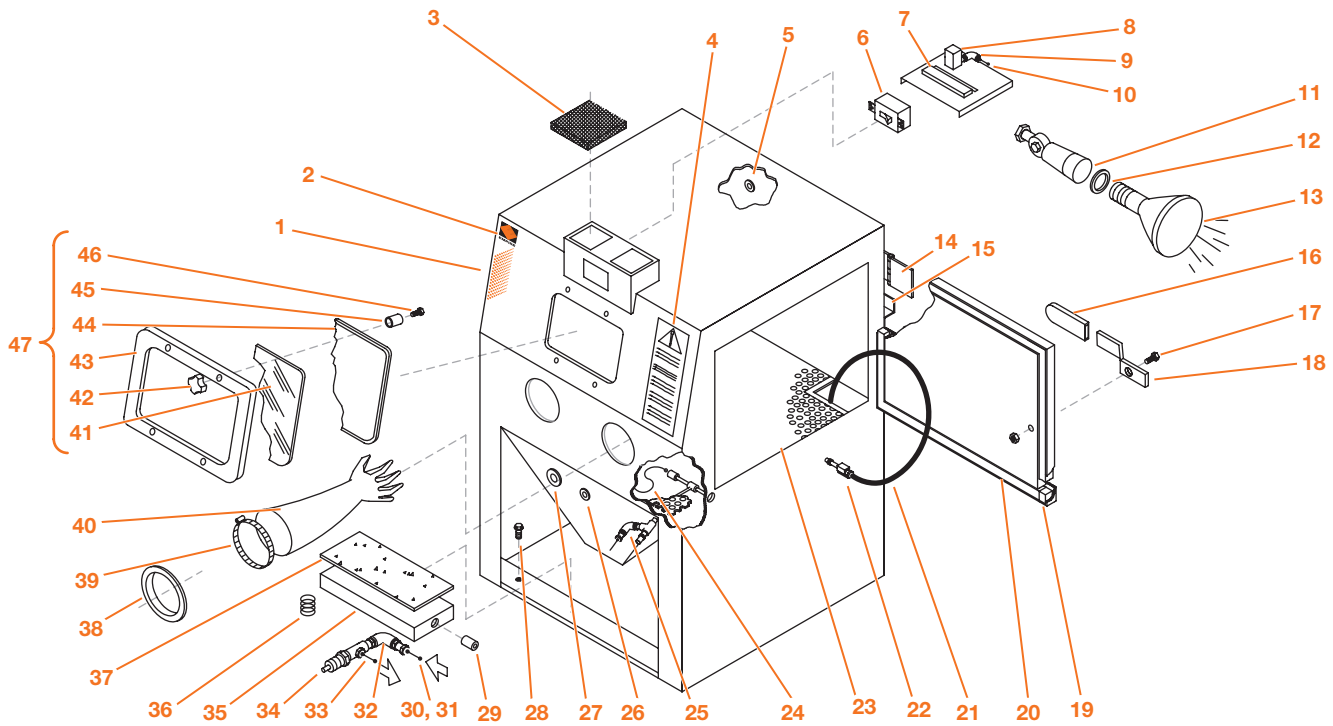




# Parts: Pro-Finish® Cabinet Assemblies

## Guide to Part Numbers



| Parts for Pro-Finish Cabinet Assemblies |  | CABINET SIZE |              |        |        |        |               |
|---|--|--------------|--------------|--------|--------|--------|---------------|
|   |  | 2636         | 3648<br>3696 | 3660   | 3674   | 4848   | 6060<br>60120 |
| Item                                    | Description                              | PART NUMBERS |              |        |        |        |               |
| 1                                       | Decal, orange dot strip (specify length) | 564301       | 564301       | 564302 | 564301 | 564301 | 564302        |
|   | <i>Length in inches</i>                  | 24"          | 30"          | 45"    | 30"    | 30"    | 45"           |
| 2                                       | Paint, touch-up kit                      | 564476       | 564476       | 564476 | 564476 | 564476 | 564476        |
| 3                                       | Decal, Empire logo                       | 564305       | 564305       | 564306 | 564305 | 564305 | 564306        |
| 4                                       | Filter, Kleensweep™ inlet (2 required)   | 510491       | 510491       | 510491 | 510491 | 510491 | 510491        |
| 5                                       | Decal, Instruction/Warnings              | 567391       | 567391       | 567391 | 567391 | 567391 | 567391        |
| 6                                       | Grommet, blast hose, 1" x 1 3/8"         | 523931       | 523931       | 523931 | 523931 | 523931 | 523931        |
| 7                                       | Switch, On/Off, 20 amp                   | 534561       | 534561       | 534561 | 534561 | 534561 | 534561        |
| 8                                       | Terminal strip, 10 pole                  | 533611       | 533611       | 533611 | 533611 | 533611 | 533611        |
| 9                                       | Solenoid valve, standard and CSA         | 519001       | 519001       | 519001 | 519001 | 519001 | 519001        |
| 10                                      | Adapter, 1/4" tube x 1/8" MPT, 90°       | 520432       | 520432       | 520432 | 520432 | 520432 | 520432        |
| 11                                      | Tubing, 1/4" OD (specify length)         | 510541       | 510541       | 510541 | 510541 | 510541 | 510541        |
| 12 *                                    | Light fixture                            | 532711       | 532711       | 532711 | 532711 | 532711 | 532711        |
| 13 †                                    | Gasket, light bulb, 1 per bulb           | 580191       | 580191       | 580191 | 580191 | 580191 | 580191        |
|   | Floodlight bulb                          | 532701       | 532701       | 532701 | 532701 | 532701 | 532701        |
|   | Light guard (not shown)                  | 509481       | 509481       | 509481 | 509481 | 509481 | 509491        |
|   | Light bar (not shown)                    | NA           | NA           | NA     | NA     | NA     | 770941        |
| 14                                      | Hinge, 3"                                | 509531       | 509531       | 509531 | 509531 | 509531 | 509531        |
| 15                                      | Z-strip (reclaimer mount not shown)      | 760151       | 760161       | 760161 | 760161 | 760161 | 760171        |
| 16                                      | Cover, handle                            | 509571       | 509571       | 509571 | 509571 | 509571 | 509571        |
| 17                                      | Bolt, door, 3/8"-16 x 2" SHCS            | 552151       | 552151       | 552151 | 552151 | 552151 | 552151        |
|   | Nut, 3/8"-16 ESNA                        | 553952       | 553952       | 553952 | 553952 | 553952 | 553952        |
| 18                                      | Handle, door                             | 760361       | 760361       | 760361 | 760361 | 760361 | 760971        |
|   | Tie bar (not shown)                      | NA           | NA           | NA     | NA     | NA     | 760401        |
|   | Keeper (not shown)                       | 760371       | 760371       | 760371 | 760371 | 760371 | 760371        |
| 19 †                                    | Bumper, urethane                         | 525041       | 525041       | 525041 | 525041 | 525041 | 525041        |
| 20 *                                    | Gasket, 3/4" x 3/4" (specify length)     | 524441       | 524441       | 524441 | 524441 | 524441 | 524441        |



# Parts: Pro-Finish® Cabinet Assemblies

| PRO-FINISH CABINET COMPONENTS |  | CABINET SIZE |              |        |        |        |               |
|-------------------------------|--|--------------|--------------|--------|--------|--------|---------------|
|                               |  | 2636         | 3648<br>3696 | 3660   | 3674   | 4848   | 6060<br>60120 |
| Item                          | Description  | PART NUMBERS |              |        |        |        |               |
| 21                            | Hose with fittings, dust-off gun                     | 522631       | 522641       | 522661 | 526641 | 521481 | 522661        |
| 22                            | Gun, dust-off  | 509821       | 509821       | 509821 | 509821 | 509821 | 509821        |
|                               | Spring (not shown)                                   | 511251       | 511251       | 511251 | 511251 | 511251 | 511251        |
| 23                            | Floor section, 2 required                            | 760541       | 760551       | 760571 | 760555 | 760561 | 760571        |
| 24                            | Interlock hose assembly: 3/8" air hose with clamps   | 520003       | 520003       | 520004 | 520003 | 520003 | 520004        |
| 25                            | Adapter, 1/4" x 1/8" MPT, 90°                        | 520432       | 520432       | 520432 | 520432 | 520432 | 520432        |
| 26                            | Grommet, dust-off hose, 1/4" - 5/8" x 7/8"           | 523951       | 523951       | 523951 | 523951 | 523951 | 523951        |
| 27                            | Grommet, suction air hose, 3/4" x 1 1/16"            | 523921       | 523921       | 523921 | 523921 | 523921 | 523921        |
|                               | Hole seal (pressure only)                            | 536391       | 536391       | 536391 | 536391 | 536391 | 536391        |
| 28                            | Levelling bolt, 3/8" - 16 x 2" (4 required)          | 551742       | 551742       | 551742 | 551742 | 551742 | 551742        |
| 29                            | Brass bushing, treadle (2 required)                  | 510501       | 510501       | 510501 | 510501 | 510501 | 510501        |
| 30                            | Tubing, 1/4" OD (specify length)                     | 510541       | 510541       | 510541 | 510541 | 510541 | 510541        |
| 31                            | Connector, 1/8" MPT x 1/4" tube                      | 520252       | 520252       | 520252 | 520252 | 520252 | 520252        |
| 32                            | Elbow, 1/8"  | 543822       | 543822       | 543822 | 543822 | 543822 | 543822        |
| 33                            | Barbed PTC, 1/4" tube x #10 - 32                     | 521101       | 521101       | 521101 | 521101 | 521101 | 521101        |
| 34                            | † Valve, foot treadle, 3"                            | 517221       | 517221       | 517221 | 517221 | 517221 | 517221        |
|                               | † Barbed fitting, 1/4" tube x #10 - 32 with gasket   | 521101       | 521101       | 521101 | 521101 | 521101 | 521101        |
| 35                            | Foot treadle base                                    | 760041       | 760041       | 760041 | 760041 | 760041 | 760041        |
| 36                            | † Spring, treadle return (2 required)                | 510421       | 510421       | 510421 | 510421 | 510421 | 510421        |
| 37                            | Grip/cover, treadle                                  | 524391       | 524391       | 524391 | 524391 | 524391 | 524391        |
|                               | Foot treadle assembly (includes items 29 through 37) | 140160       | 140160       | 140160 | 140160 | 140160 | 140160        |
| 38                            | Glove hole flange, plastic                           | 555016       | 555016       | 555016 | 555016 | 555016 | 555016        |
| 39                            | Clamp, 8", per glove                                 | 520561       | 520561       | 520561 | 520561 | 520561 | 520561        |
|                               | Gloves, pair*  | 509891       | 509891       | 509891 | 509891 | 509891 | 509891        |
| 40                            | Glove, left hand                                     | 510821       | 510821       | 510821 | 510821 | 510821 | 510821        |
|                               |  |              |              |        |        |        |               |
| 41 *Δ                         | Safety glass, 14" x 22"                              | 510401       | 510401       | 510401 | 510401 | 510401 | 510401        |
| 42                            | Knob, 3/8" - 16 (4 required)                         | 510461       | 510461       | 510461 | 510461 | 510461 | 510461        |
| 43                            | Frame, window  | 760291       | 760291       | 760291 | 760291 | 760291 | 760291        |
| 44                            | † Gasket, window, 6' section                         | 524451       | 524451       | 524451 | 524451 | 524451 | 524451        |
|                               | Gasket, 1/4" x 1/4" (specify length)                 | 525941       | 525941       | 525941 | 525941 | 525941 | 525941        |
|                               | Gasket, 1/8" x 1/4" (specify length)                 | 523551       | 523551       | 523551 | 523551 | 523551 | 523551        |
| 45                            | Spacer, window (4 required)                          | 525931       | 525931       | 525931 | 525931 | 525931 | 525931        |
| 46                            | Bolt, 3/8" - 16 x 1 1/4"                             | 551852       | 551852       | 551852 | 551852 | 551852 | 551852        |
| 47                            | Window kit (includes items 41 through 46)            | 140544       | 140544       | 140544 | 140544 | 140544 | 140544        |

\* Recommended spare part—Consumable wear item

† Essential component to prevent downtime

Δ Failure to replace glass with Empire safety glass could result in serious injury.